

CLASS 12 | CHEMISTRY

COMPLETE ORGANIC REACTIONS ROADMAPS

ATDB.uno

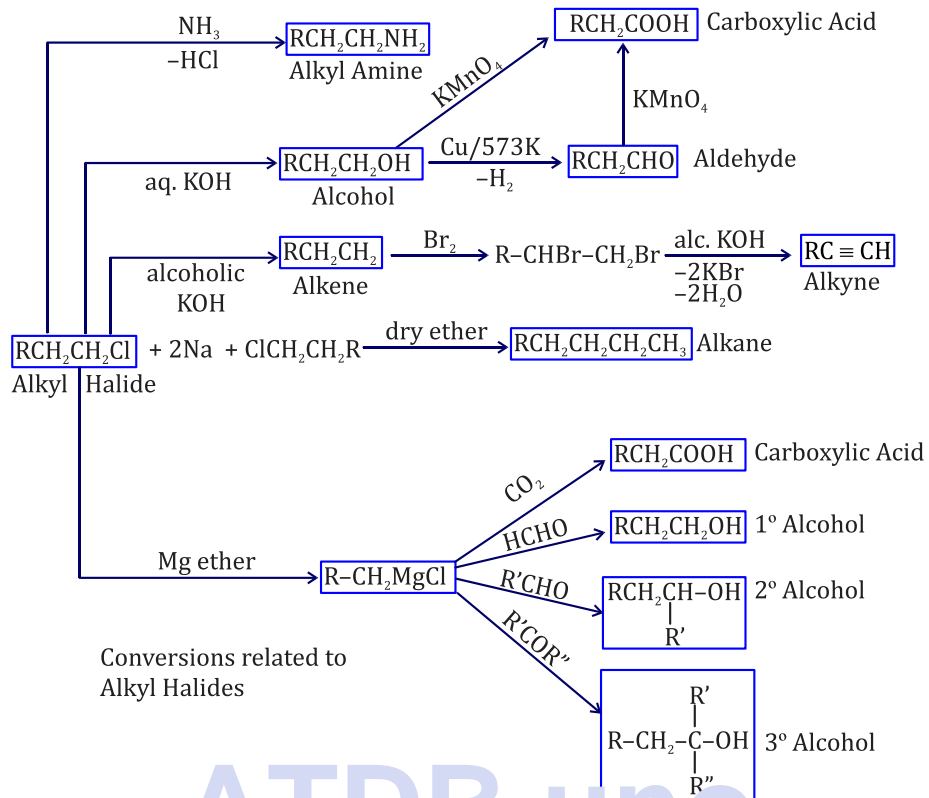
MADE WITH 
AMAN DHATTARWAL

(Chemistry)

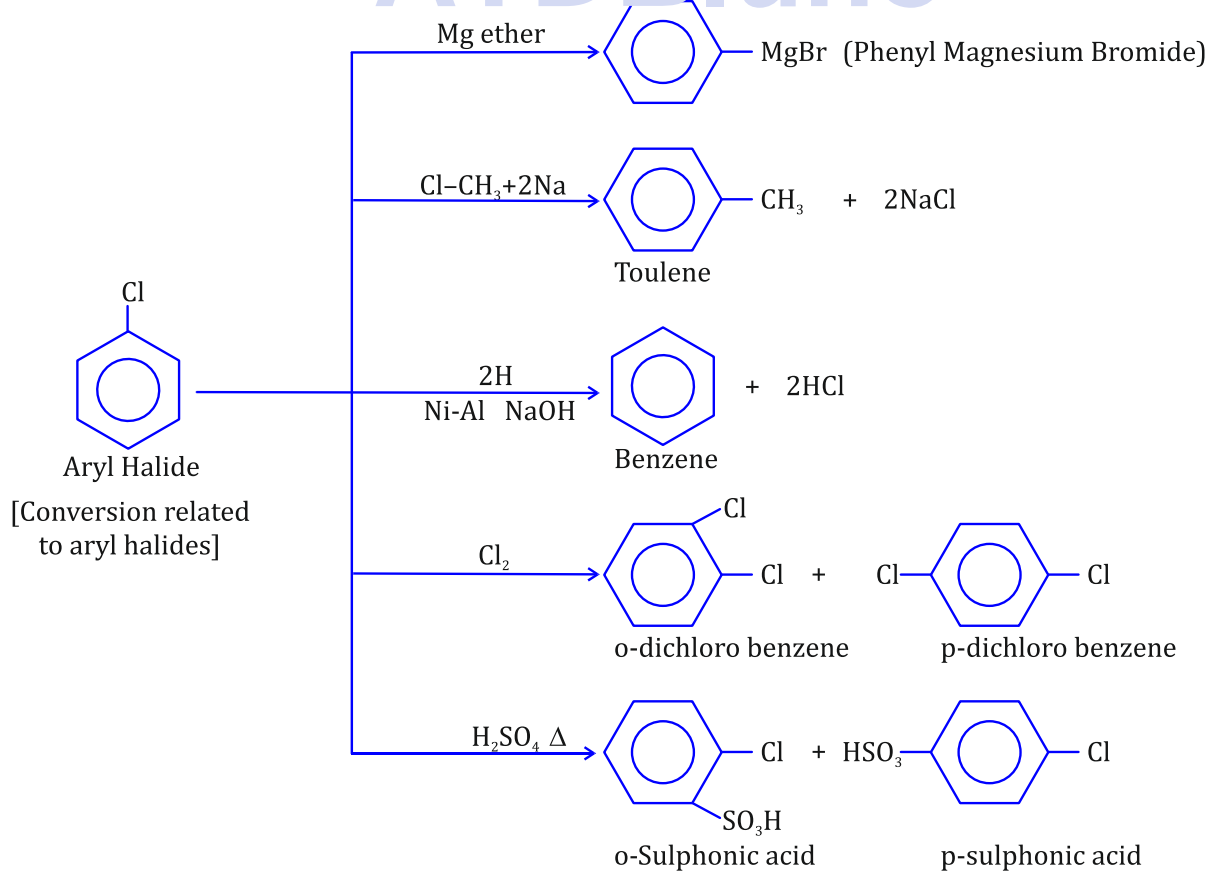
HALOALKANES & HALOARENES



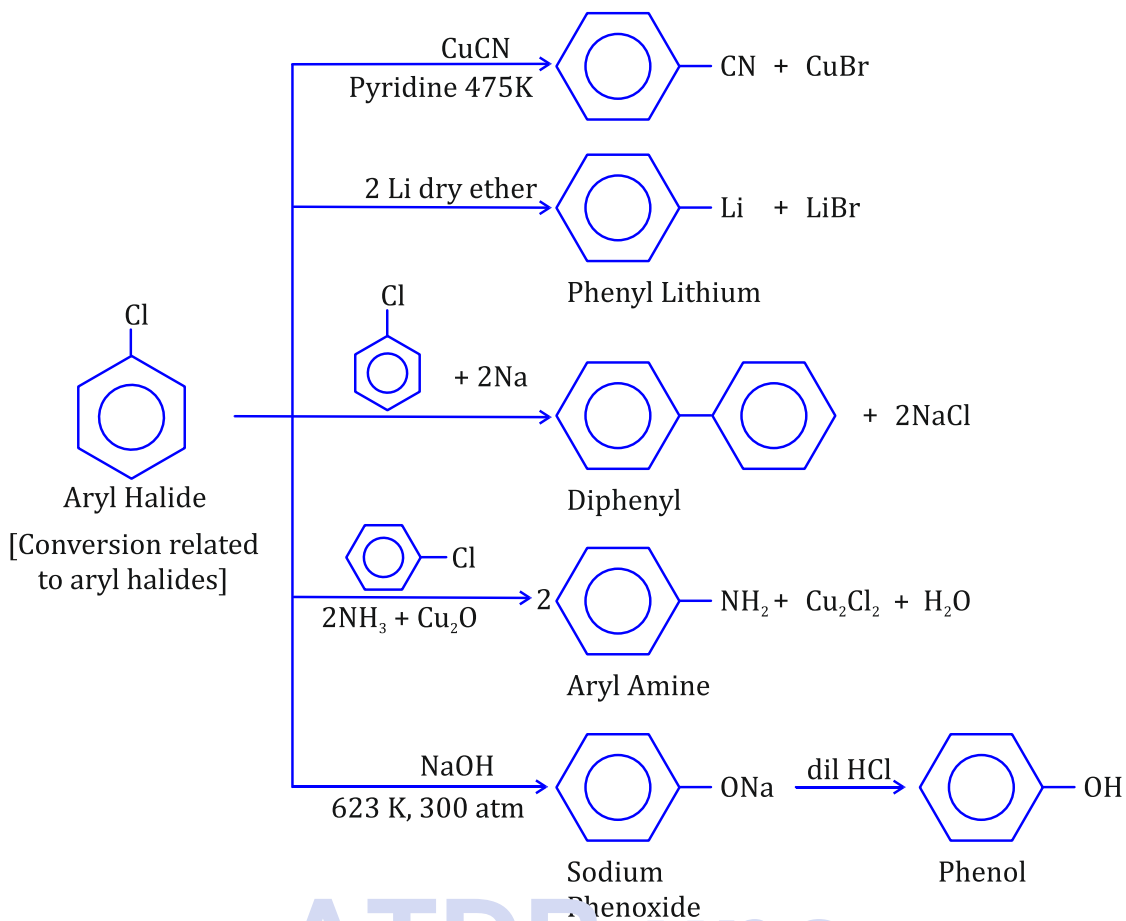
CONVERSION RELATED TO ALKYL HALIDES:



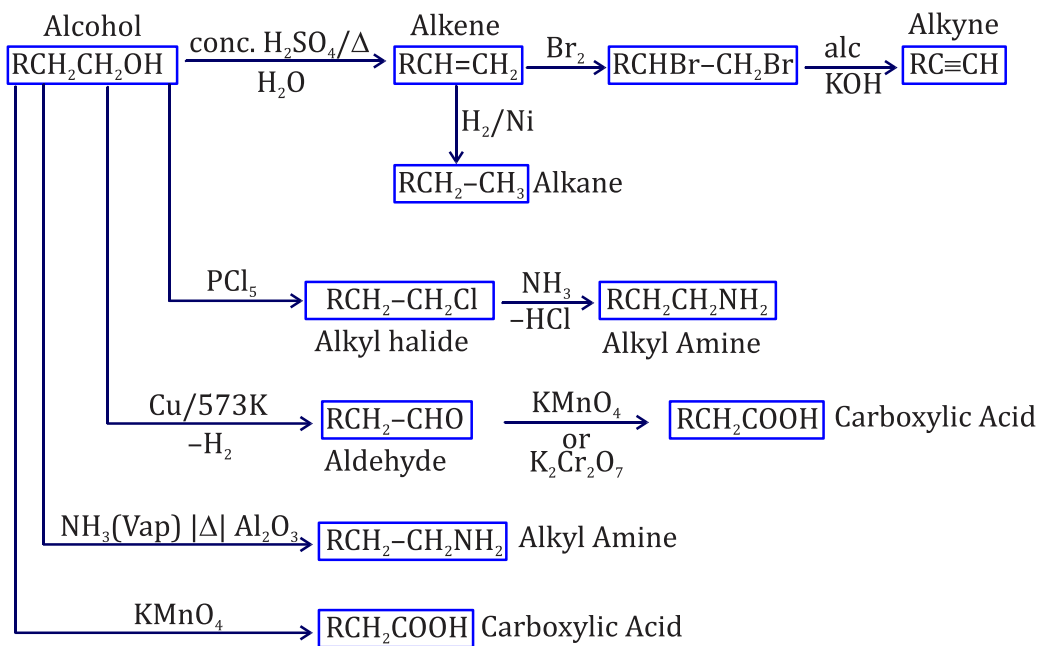
CONVERSION RELATED TO ARYL HALIDES

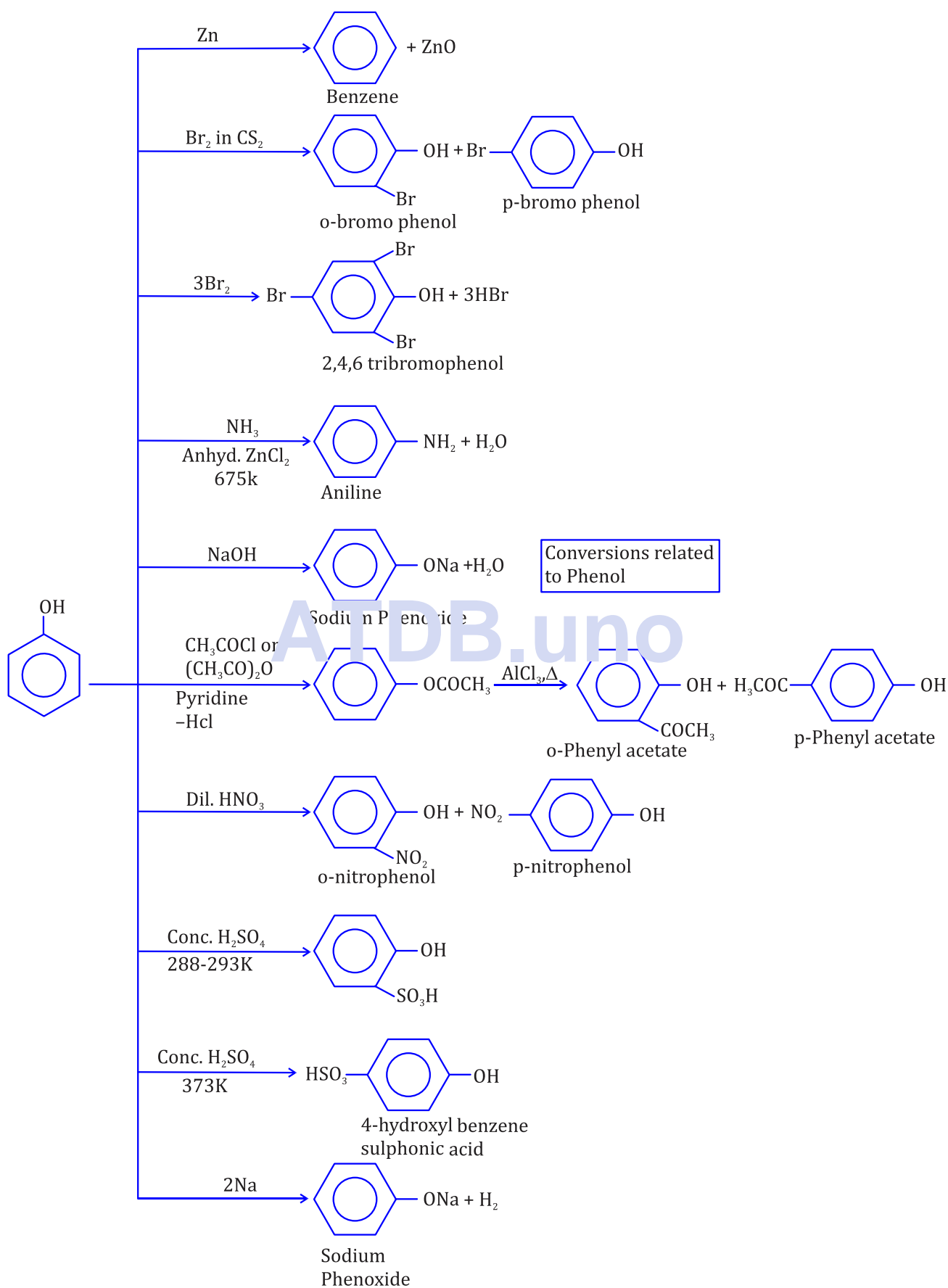


(Chemistry)



ATDB.uno
ALCOHOL, PHENOL & ETHER

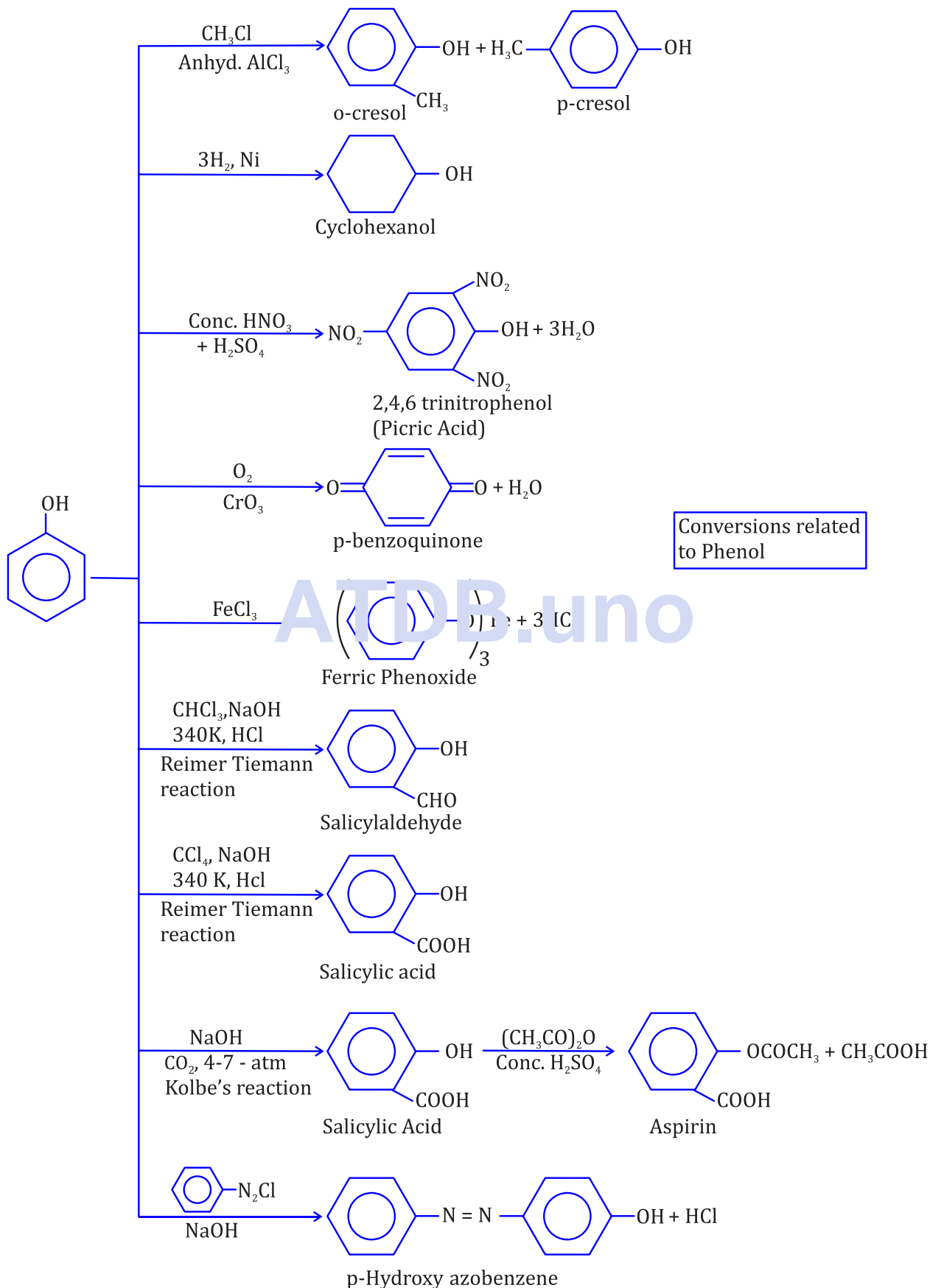


(Chemistry)**CONVERSIONS RELATED TO PHENOLS**

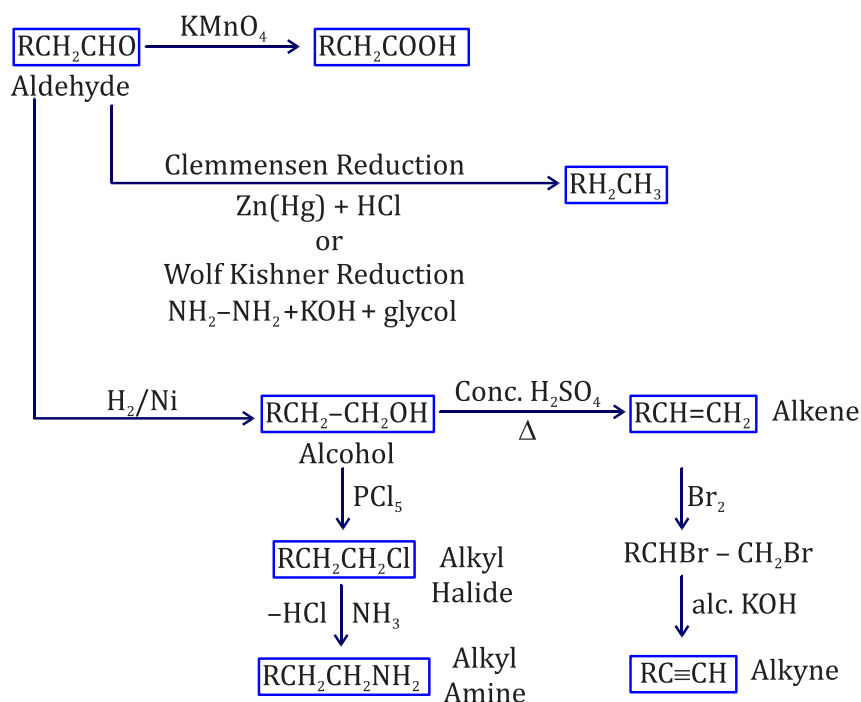
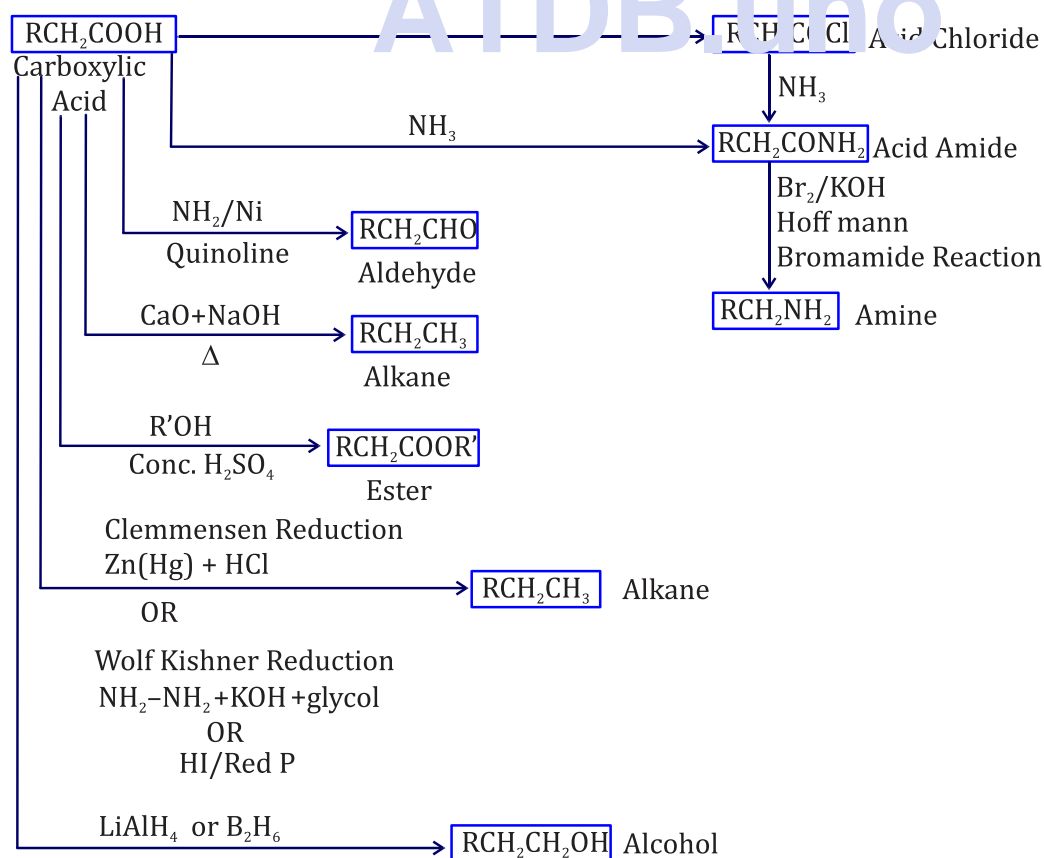
(Chemistry)



CONVERSIONS RELATED TO PHENOLS



Conversions related to Phenol

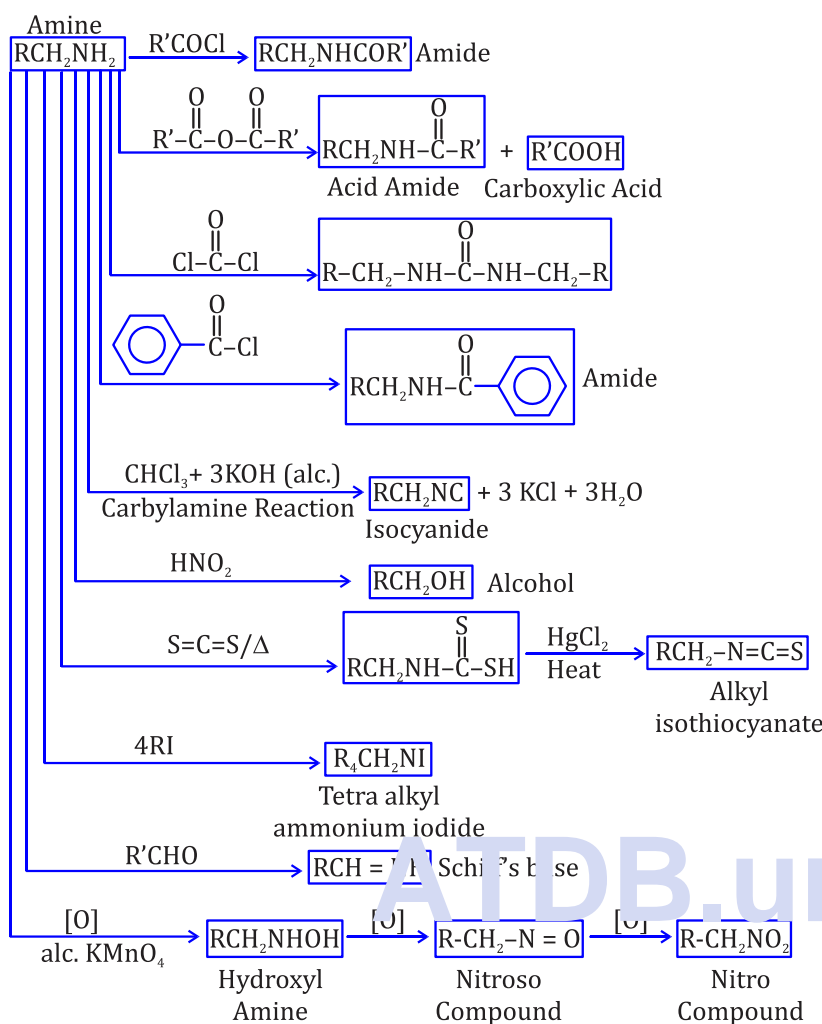
(Chemistry) ALDEHYDE, KETONE & CARBOXYLIC ACID**CONVERSIONS RELATED TO ALDEHYDES****CONVERSION RELATED TO CARBOXYLIC ACID**

(Chemistry)

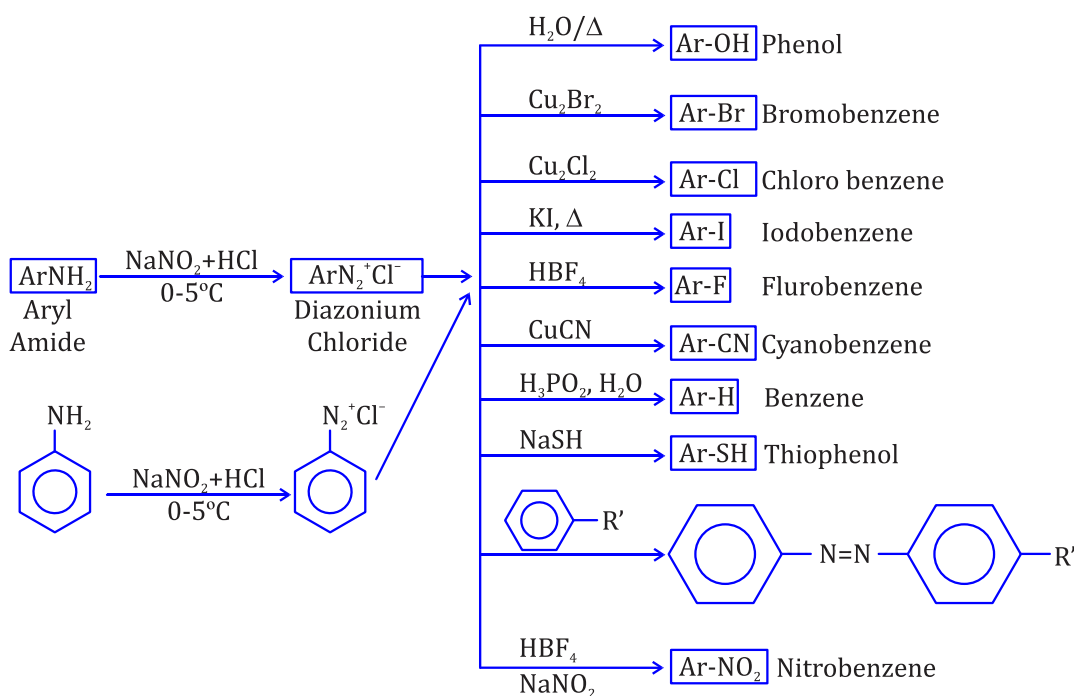
AMINES



CONVERSION RELATED TO ALKYL AMINES



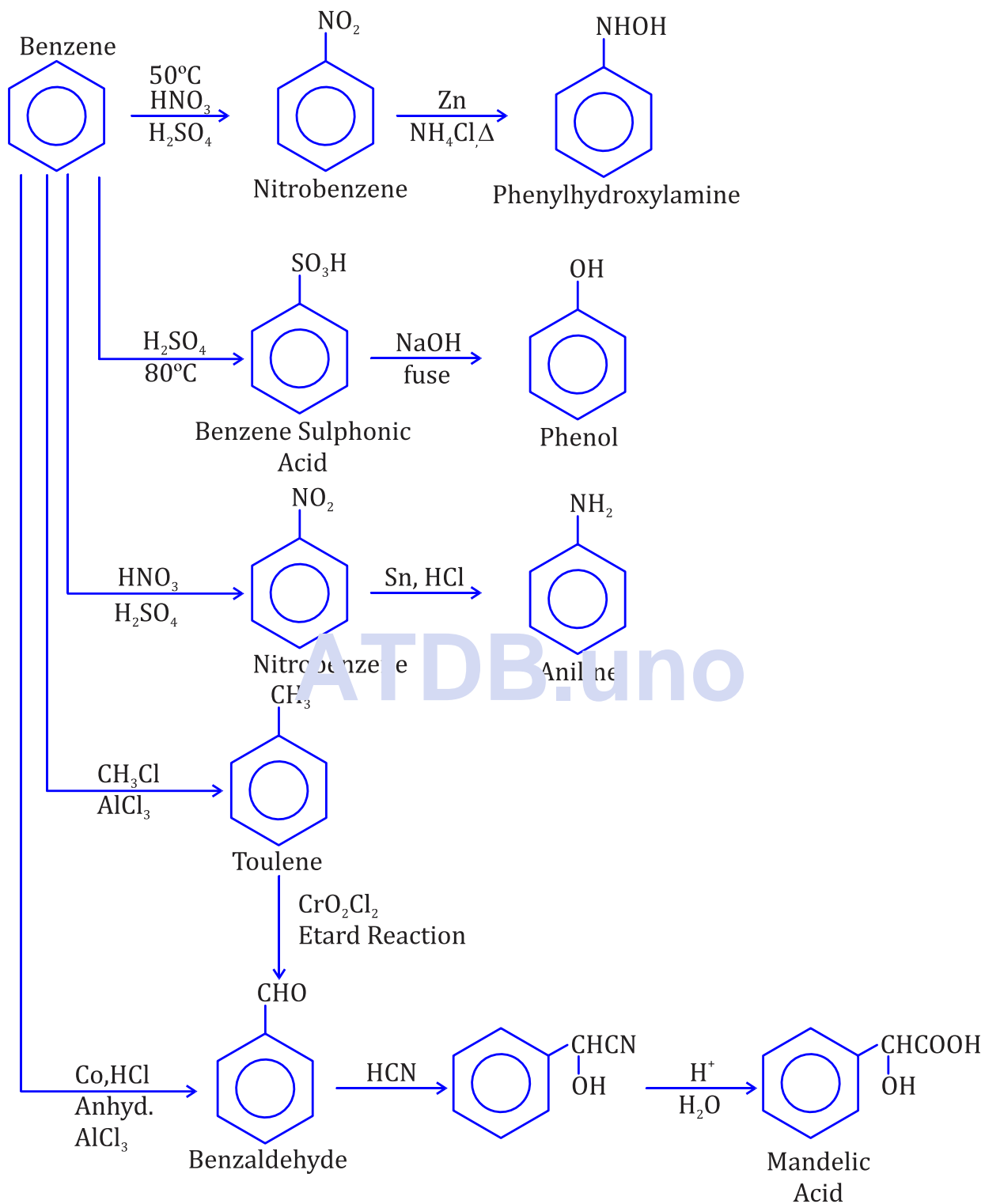
CONVERSION RELATED TO ARYL AMINES



(Chemistry)

A

CONVERSION RELATED TO BENZENE



(Chemistry)**A****BENZENE TO OTHER ORGANIC COMPOUNDS**